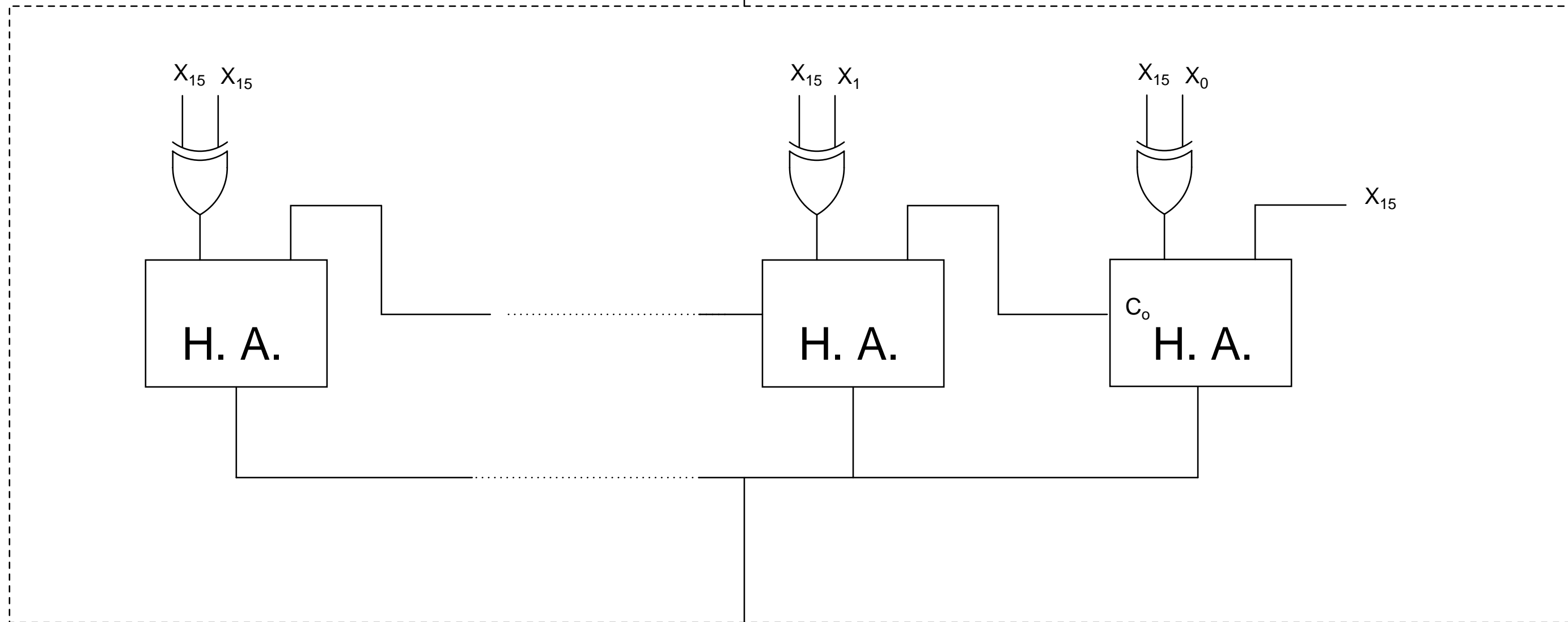


X



ABS(X)